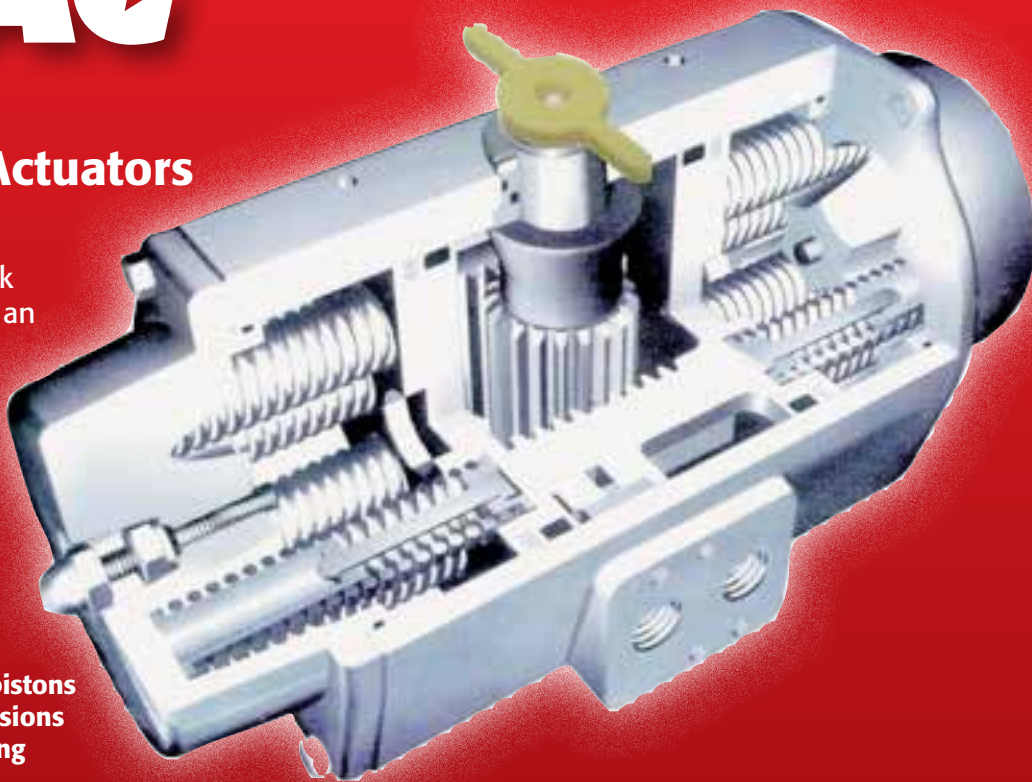




Stainless Steel Rack & Pinion Actuators

TRIAC® Stainless Steel Rack and Pinion Actuators offer an economical solution to harsh chemical environments and the corrosion resistant requirements of the pharmaceutical, food, beverage, pulp and paper, and petrochemical industries.

- 316 SST body, pinion and pistons
- ISO 5211 mounting dimensions
- NAMUR accessory mounting
- Electropolish finish
- Double acting and spring return
- Standard working temperature -20°F to 175°F
- Maximum working pressure 150 psig
- Permanently lubricated



Corrosion Resistant



**All Stainless
Ball Valve Assemblies**

Stainless Steel Rack & Pinion Actuators

Double Acting Torque (In-Lbs)

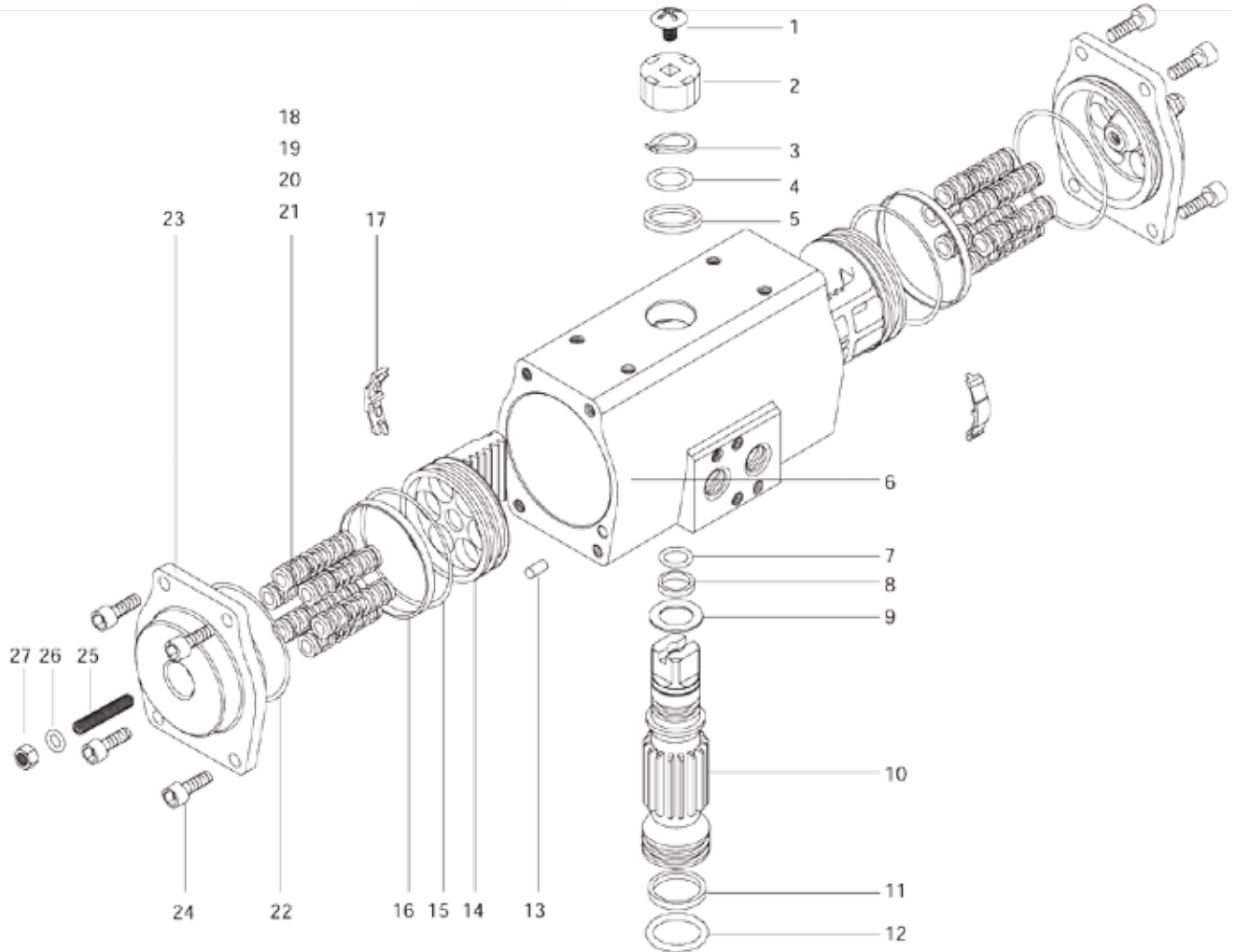
MODEL	AIR SUPPLY				
	40	60	80	100	120
SS45DA	71	107	143	178	214
SS60DA	171	256	342	427	512
SS85DA	370	555	740	925	1,110
SS105DA	624	936	1,249	1,561	1,873
SS125DA	1,214	1,822	2,429	3,036	3,643
SS140DA	2,034	3,051	4,068	5,085	6,102
SS160DA	3,102	4,653	6,204	7,755	9,306



Spring Return Torque (In-Lbs)

MODEL	SPRINGS PER SIDE (5 Standard)	SPRING TORQUE		AIR SUPPLY							
		END	BREAK	40 PSI		60 PSI		80 PSI		100 PSI	
				END	BREAK	END	BREAK	END	BREAK	END	BREAK
SS45SR	3	35	51	20	36	56	72	92	108	127	143
	4	46	68			39	61	75	97	110	132
	5	58	86					57	85	92	120
	6	69	103							75	109
SS60SR	3	79	117	54	92	139	177	225	263	310	348
	4	105	156			100	151	186	237	271	322
	5	132	195					147	210	232	295
	6	158	234							193	269
SS85SR	3	171	247	123	199	308	384	493	569	678	754
	4	228	329			226	327	411	512	596	697
	5	286	412					328	454	513	639
	6	342	494							431	583
SS105SR	3	365	550	74	259	386	571	699	884	1,011	1,196
	4	486	733			203	450	516	763	828	1,075
	5	608	916					333	641	645	953
	6	729	1099							462	832
SS125SR	3	566	841	373	648	981	1,256	1,588	1,863	2,195	2,470
	4	761	1,133			689	1,061	1,296	1,668	1,903	2,275
	5	956	1,416					1,013	1,473	1,620	2,080
	6	1,142	1,690							1,346	1,894
SS140SR	3	920	1,381	653	1,114	1,670	2,131	2,687	3,148	3,704	4,165
	4	1,230	1,850			1,201	1,821	2,218	2,838	3,235	3,855
	5	1,540	2,310					1,758	2,528	2,775	3,545
	6	1,850	2,770							2,315	3,235
SS160SR	3	1,442	2,177	925	1,660	2,476	3,211	4,027	4,762	5,578	6,313
	4	1,929	2,903			1,750	2,724	3,301	4,275	4,852	5,826
	5	2,416	3,637					2,567	3,788	4,118	5,339
	6	2,894	4,363							3,392	4,861

Stainless Steel Rack & Pinion Actuators



Bill of Materials

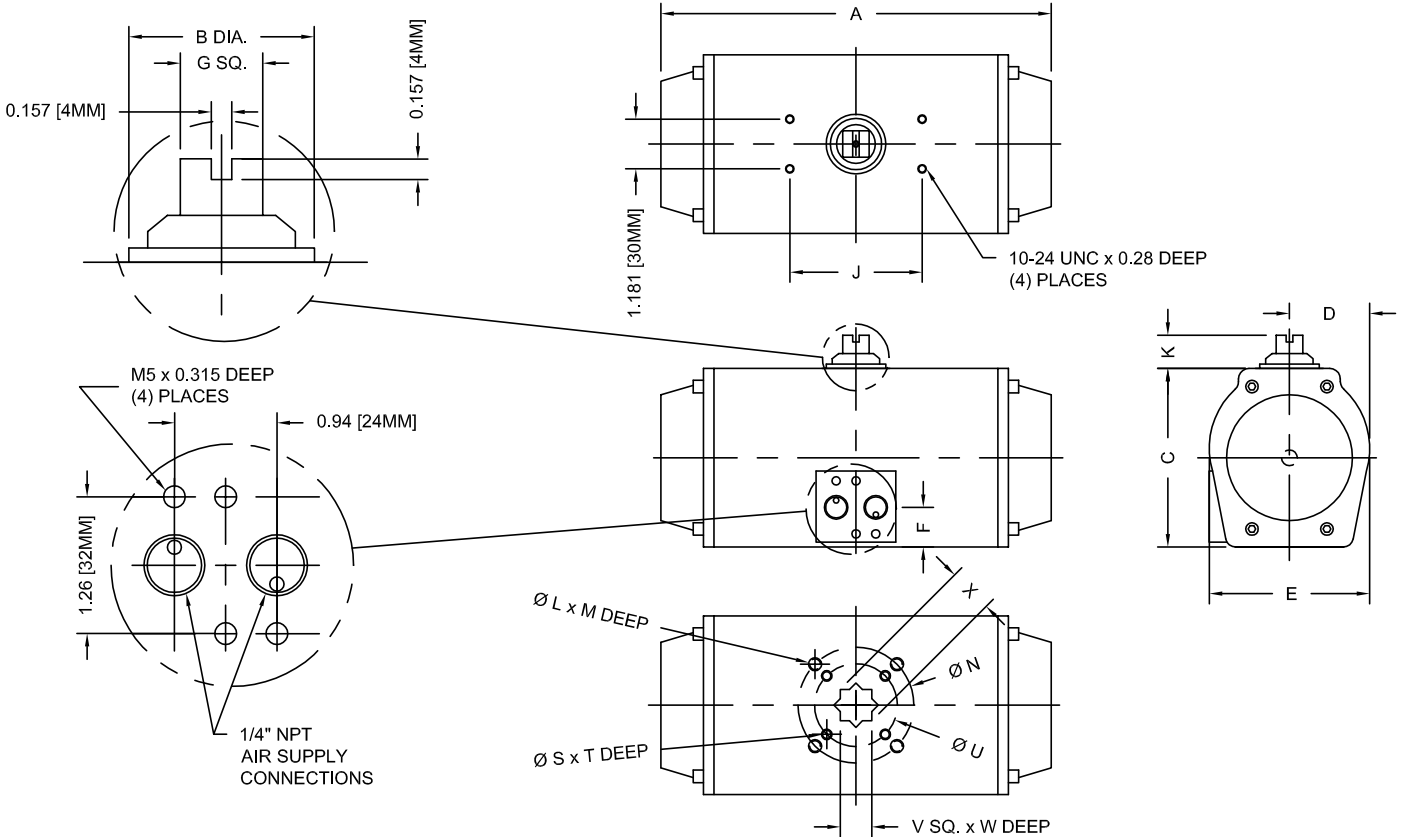
No.	Description	Qty	Standards Material
1	Indicator screw	1	Plastic (ABS)
2	Indicator	1	Plastic (ABS)
3	Circlip	1	Stainless Steel (316)
4	Thrust washer	1	Stainless Steel (316)
5	Outside washer	1	Polyoxymethylene
6	Body	1	Stainless Steel (316)
7	O-ring (Pinion top)	1	Viton®/NBR
8	Bearing (Pinion top)	1	Polyoxymethylene
9	Inside washer	1	Polyoxymethylene
10	Pinion	1	Stainless Steel (316)
11	Bearing (Pinion bottom)	1	Polyoxymethylene
12	O-ring (Pinion bottom)	1	Viton®/NBR
13	Plug	2	NBR
14	Piston	2	Stainless Steel (316)

No.	Description	Qty	Standards Material
15	O-ring (Piston)	2	Viton®/NBR
16	Bearing (Piston)	2	Polyoxymethylene
17	Guide (Piston)	2	Nylon66
18	Spring	*	Spring Steel
19	Spring Retainer (L)	*	Nylon66
20	Spring Retainer (R)	*	Nylon66
21	Retainer Connector	*	Brass
22	O-ring (End-Cap)	2	Viton®/NBR
23	End-Cap	2	Stainless Steel (316)
24	End-Cap Screw	8	Stainless Steel (316)
25	Adjust Screw	2	Stainless Steel (316)
26	O-ring (Adjust Screw)	2	Stainless Steel (316)
27	Nut (Adjust Screw)	2	Viton®/NBR

Repair Kit		
Nitrile Buna	SSRKB (Actuator Size)	-20 Deg F ~ +175 Deg F
Viton®	SSRKV (Actuator Size)	0 Deg F ~ +300 Deg F
Low Temp Buna	SSRKL (Actuator Size)	-45 Deg F ~ +175 Deg F

Stainless Steel Rack & Pinion Actuators

Dimensional Information



Actuator Size	A	B	C	D	E	F	G	J	K	L	M	N	S	T	U	V	W	X
SS45	6.55	1.22	2.56	1.15	2.56	0.83	0.633	3.15	0.787	1/4-20UNC	0.39	1.969	10-24UNC	0.28	1.417	0.433	0.58	0.58
SS60	6.80	1.22	3.18	1.39	2.92	0.91	0.632	3.15	0.787	N/A	N/A	N/A	1/4-20UNC	0.39	1.969	0.551	0.59	0.74
SS85	7.90	1.22	4.24	1.91	3.97	0.94	0.635	3.15	0.787	5/16-18UNC	0.47	2.756	1/4-20UNC	0.39	1.969	0.748	0.66	0.96
SS105	9.90	1.34	5.23	2.29	4.75	1.18	0.629	3.15	0.787	N/A	N/A	N/A	5/16-18UNC	0.47	2.756	0.866	0.97	1.15
SS125	11.16	1.97	6.09	2.69	5.39	1.18	0.865	5.12	1.181	3/8-16UNC	0.63	4.016	5/16-18UNC	0.47	2.756	0.866	0.97	1.15
SS140	14.31	1.97	6.89	3.11	6.26	1.37	0.865	5.12	1.181	1/2-13UNC	0.79	4.921	3/8-16UNC	0.63	4.016	1.063	1.18	1.46
SS160	16.55	1.97	7.72	3.74	6.85	1.30	0.865	5.12	1.181	1/2-13UNC	0.79	4.921	3/8-16UNC	0.63	4.016	1.063	1.18	1.46

SS Series Actuators (weights)

Actuator Size	Double Acting (Lbs)	Spring Return (Lbs)
SS45	5.0	5.5
SS60	8.0	8.5
SS85	14.0	14.5
SS105	25.5	27.0
SS125	38.5	40.5
SS140	63.5	65.5
SS160	80.0	83.0

Soluciones en Instrumentación,
Automatización y Control Industrial

www.seita.com.co