

TX

Thermal dispersion switch

KTEK products

Measurement made easy



Features

- For Liquids, Gases & Small Granular Solids
- One Switch for Gas or Liquid Flow, Liquid Level, Interface Level or Temperature
- 316L Stainless Steel All Welded Construction Standard
- Explosion Proof, No Moving Parts
- Temperature Range -50 to 350°F / -46 to 177°C Standard
- Pressure to 4000 psig / 275 bar Standard

Options

- Exotic Alloys for Corrosive Applications
- Temperatures from -320 to 900°F / -195 to 482°C
- Pressure to 10,000 psig / 689 bar
- Extended Sensor
- Remote Mounting
- Flange Mounting
- Ceramic Glass To Metal Feedthrough Provides Secondary Pressure Boundry

Accessory

- Stainless steel flow tube adapter for small diameter pipe

SEITA

Soluciones en Instrumentación,
Automatización y Control Industrial

www.seita.com.co

Power and productivity
for a better world™



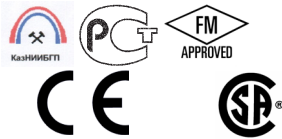
SPECIFICATIONS

Sensor

Materials of Construction	316L Stainless Steel Standard, Exotic Alloys Optional
Response Time	No Flow to Flow: From 3 Seconds; Flow to No Flow: From 8 Seconds
Operating Temperature	Level: +/- 1/8"; Temperature: From 1 second -50 to 350°F / -46 to 177°C Standard Options: -320 to 500°F / -196 to 260°C -100 to 900°F / -73 to 482°C
Operating Pressure	Full Vacuum to 4000 psig / 275 bar Standard Option: 10,000 psig / 689 bar maximum
Repeatability	Flow: 0.5% of maximum flow rating at Constant Conditions Standard ; Level: +/- 1/8"; Temperature: +/- 1°C
Process Connection	3/4" MNPT Standard Options: 1", 1-1/4", 1-1/2", 2" MNPT, Flanges, Retractable Probes
Insertion Length	1.8" / 45.7mm Standard Option: 1.2" / 30.5mm; Custom Lengths Available to 8 ft. (96 in, 2438mm)

Electronics

Housing	Powder Coated Aluminum Standard Optional: Dual Compartment Aluminum; Dual Compartment 316L SS
Operating Temperature	-50 to 140°F/-46 to 60°C Ambient Option: Remote Mounting of Electronics Up to 2000 ft. / 609 meters
Power Input	90-132 VAC, 50/60 Hz, 5.5 watts max Options: 24 VDC, 24 VAC, 208-240 VAC
Relay Output	DPDT 8 amps @ 250 VAC
Conduit Entry	3/4" FNPT Standard
Approvals	CL I, Div I, GP A,B,C,D; CL I, Div II, GP E,F,G; Div III, DIP, NEMA or Type 4X FM: T3A @ Ta = 60C CSA: T3C @ Ta = 60C (For A, A1 and S housing options) GOST Russia, GOST Kazakhstan: 1ExdIICT3
Shipping Weight	5 lbs standard



ORDERING INFORMATION:

TX/a/b/c/d/e/f/g/h:

/a Housing

- A1 Single Compartment Aluminum Housing **Standard**
- A1W Single Compartment Aluminum Housing with glass window cover
- A Dual Compartment Aluminum Housing
- AW Dual Compartment Aluminum Housing with Glass Viewing Window
- S Dual Compartment 316L Stainless Steel Housing
- SW Dual Compartment 316L Stainless Steel Housing with Glass Viewing Window

/b Material Type

- S6 316L Stainless Steel **Standard**
- HB Hastelloy B-3
- HC Hastelloy C-276
- AM Monel
- T2 Titanium GR. 2
- T7 Titanium GR. 7
- A20 Carpenter 20

/c A) Process Connection – Threaded

- 0750 3/4" MNPT **Standard**
- 1000 1" MNPT
- 1250 1-1/4" MNPT
- 1500 1-1/2" MNPT
- 2000 2" MNPT

B) Process Connection – Flanged

/AABC	AA	B	C
	10 1" Flange	1 150#	1 Raised Face, 316L SS
	15 1-1/2" Flange	2 300#	2 Raised Face, Carbon Steel
	20 2" Flange	3 600#	3 Flat Face, 316L SS
	30 3" Flange	4 900#	4 Flat Face, Carbon Steel
	40 4" Flange	5 1500#	6 Special
	60 6" Flange		

/d Insertion Length

- 1.8 1.8" / 45.7 mm Insertion Length **Standard**
- 1.2 1.2" / 30.5 mm Insertion Length
- Length Customer Specified Length in Inches or Millimeters (1.2" / 30.5 mm minimum), maximum 8 ft. (96 in, 2438 mm)

/e Power Input

- 1 90-132 VAC **Standard**
- 2 24 VDC or VAC (22.8 - 28.8 VDC; 20 VAC - 25 VAC)
- 3 200-240 VAC

/f Process Temperature

- H0 -50 to 350°F / -46 to 177°C **Standard**
- H1 -320 to 500°F / -196 to 260°C (Requires remote mounting of electronics)
- H2 -100 to 900°F / -73 to 482°C (Requires remote mounting of electronics)

/g Approvals

- X Not FM or CSA Approved, CE mark
- FMX Factory Mutual Research Corp (FMRC) **Standard**
- CSX CSA Canadian Standard Association
- GR **GOST Russia**
- GK **GOST Kazakhstan**

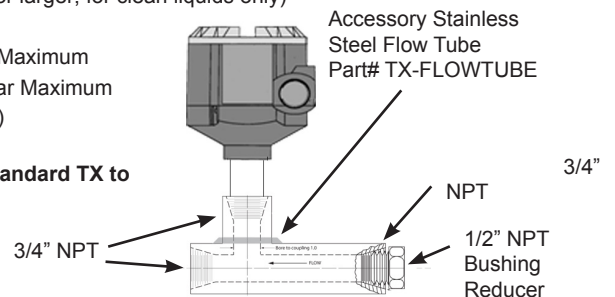
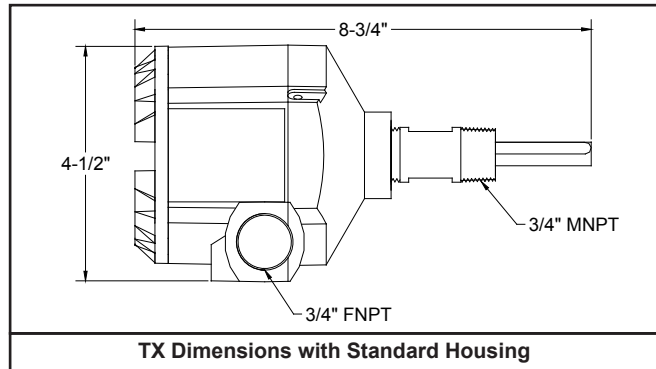


/h Options (leave blank if no options required)

- DS Dual Switch Point Electronics with Millivolt Output
- RJxxxx Remote Electronics with PVC Cable (200°F / 93.3°C) Specify cable length "xxxx" ft. (Max. Length 2000 ft. / 609 m)
- RFxxxx Remote Electronics with TEFLON® (a registered trademark of DuPont) Cable (900°F / 482°C process temperature) Specify cable length "xxxx" ft. (Max. Length 2000 ft. / 609 m)
- HF High Flow Option (Requires 1" MNPT or 1-1/2" Flange or larger; for clean liquids only)
- HP High Pressure Option (10,000 psig / 689 bar)
- G1 Packing Gland for Retractable Probe, 50 psig / 3.4 bar Maximum
- G2 Packing Gland for Retractable Probe, 500 psig / 34.5 bar Maximum
- HS 5 Pin Hermetic Feed-through (not offered with Titanium)

Accessory: 316 Stainless Flow Tube part# TX-FLOWTUBE (to adapt standard TX to small diameter pipe sizes)

***Note: For available set points / flow calibration & conversion charts see MKT-0189-1**



Contact us

ABB Inc.

18321 Swamp Road
Prairieville, LA 70769 USA
Phone: +1 225 673 6100
Service: +1 225 677 5836
Fax: +1 225 673 2525
E-mail: quotes.ktek@us.abb.com
Service e-mail: ktek-service@us.abb.com

ABB Inc.

585, Boulevard Charest E., Suite 300
Quebec, QC Canada G1K 9H4
Phone: +1 418 877 2944
Service: +1 800 858 3847
Fax: +1 418 877 2834
E-mail: qc_rfq@ca.abb.com
Service e-mail: laserscanner.support@ca.abb.com

ABB Engineering (Shanghai) Ltd.

No. 5, Lane 369, Chuangye Road
Kangqiao Town, Pudong District
Shanghai, 201319, P.R. China
Phone: +86 10 64231407
Service: +86 21 61056421
Fax: +86 10 64371913
E-mail: shan.li@cn.abb.com
Service e-mail: rola.li@cn.abb.com

ABB Limited

Salterbeck Trading Estate
Workington, Cumbria, England CA14 5DS
Phone: +44 7885333752
Service: +44 145 3826661
E-mail: enquiries.mp.uk@gb.abb.com
Service e-mail: abb.service@gb.abb.com

www.abb.com/level

Note:

We reserve the right to make technical changes or modify the contents of this document without prior notice. With regard to purchase orders, the agreed particulars shall prevail. ABB does not accept any responsibility whatsoever for potential errors or possible lack of information in this document.

We reserve all rights in this document and in the subject matter and illustrations contained therein. Any reproduction, disclosure to third parties or utilization of its contents – in whole or in parts – is forbidden without prior written consent of ABB.

All copyrights and trademarks are the property of their rightful owners.

Copyright© 2013 ABB
All rights reserved



Sales



Service

SEITA

Soluciones en Instrumentación,
Automatización y Control Industrial

www.seita.com.co